

FEND® PORTABLE EYEWASH STATION

The eye wash unit is designed mainly for wall mounting applications but can be used as a standalone unit on a shelf or a bench.

SPECIFICATION:

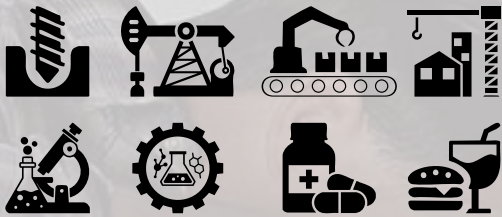
Model No.: FE-EW-16G

- Material: Made of high-density polyethylene.
- Capacity: Maximum capacity of 60L (16 gallons), with an effective working capacity of 40L, ensuring a continuous 15-minute flush.
- Water Injection Hole: Wide opening for easy water filling, equipped with a dust cover for protection.
- Color: Eco-friendly green, visually appealing, and highly noticeable.
- Water Flow: Optimized nozzle design for a gentle yet effective flow, providing a minimum output of 1.5L per minute.

FEATURES & BENEFITS:

- Compact and portable gravity-fed eyewash unit, delivering a continuous flow of water for a minimum of 15 minutes.
- Activation is simple—just pull down the eyewash tray to start the water flow.
- Spray nozzles remain protected from dust, debris, and damage when the tray is closed.
- Constructed from UV-stabilized high-density polyethylene (HDPE), with a bright yellow fold-down tray for easy visibility.
- Integrated molded handle on top ensures convenient handling & is designed to fit securely on the included wall-mounting bracket.
- Wide-fill opening with threaded cap allows for quick and easy filling, inspection & cleaning.
- Supplied with a wall bracket for easy installation.
- Fully compliant ANSI Z358.1:2020 standards as a self-contained eyewash unit.

INDUSTRIES:



COMPONENT LIST:

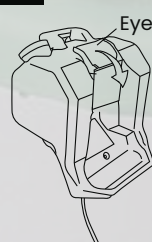
- Eye Wash Station
- Wall Mounting
- Bracket Assembly

MAINTENANCE:

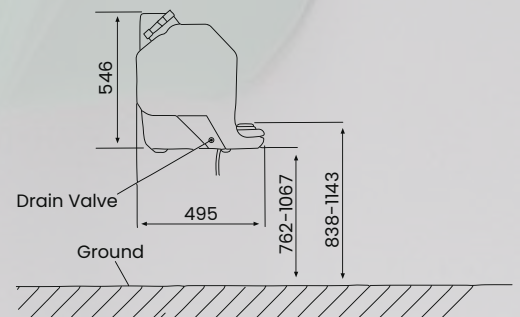
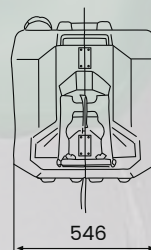
- Weekly Inspection
- Monthly Water Replacement
- Nozzle and Dust Cover Cleaning
- Flow Rate Testing (Every 2-4 Weeks)
- Annual Full Inspection

INSTALLATION PROCEDURE:

1. Unpacking and Inspection
2. Selecting the Installation Location
3. Filling the Eyewash Tank
4. Positioning and Mounting (if required)
5. Testing the Unit
6. Final Checks and Readiness



Eyewash Arm



SAFETY PLUS WORLD

(A division of Raja General Trading Co. W.L.L.)

📍 P.O. Box: 4121, Safat 13042, Kuwait

✉ sc@safetyplusworld.com

☎ +965 6695 5684

🌐 www.safetyplusworld.com

